

**FAX**

Integral Project



date	9/7/2002	reference	SCI-PG/	page	1/8
from	G. SARRI	extension	4966		
to	N. LOND /DSRI	n°fax			
copy		n°fax			
subject	JEMIBIS				
reference	your e-mail on 3/7/2002				

Dear Niels,

please find enclosed the details of the implementation of the two crosstalk shelves on the PLM and of the additional shielding around the JEM-X masks.

In all cases the shielding used is

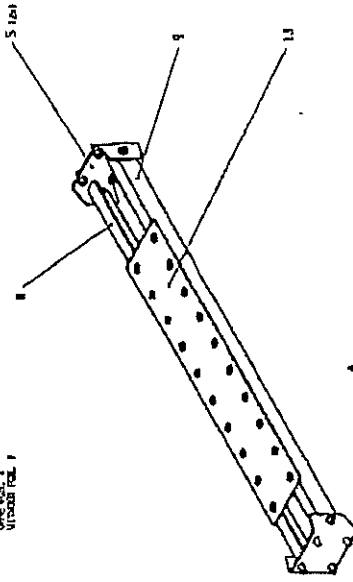
1 mm brass. \rightarrow 70% Cu $\rho = 8.56 \text{ g/cm}^3$
30% Zn

$\rho_{\text{brass}} = 8.85$
 $\rho = 7.19$
Zn

Regards

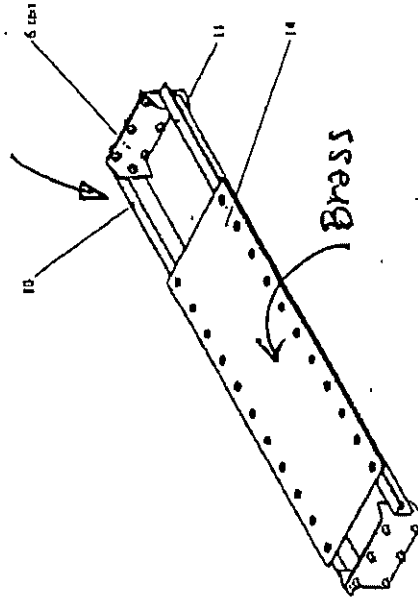
G. Sarri
Cu: 0.599 g/cm^2
Zn: 0.257 g/cm^2

ISOMETRIC
M 1:2
UNFINISHED
UNPAINTED



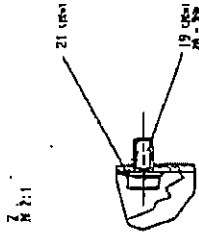
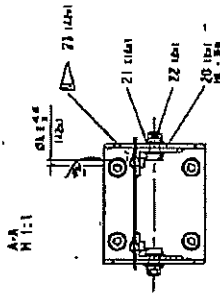
Upper shielding plate
(1 mm brass)

Aluminum



Brass

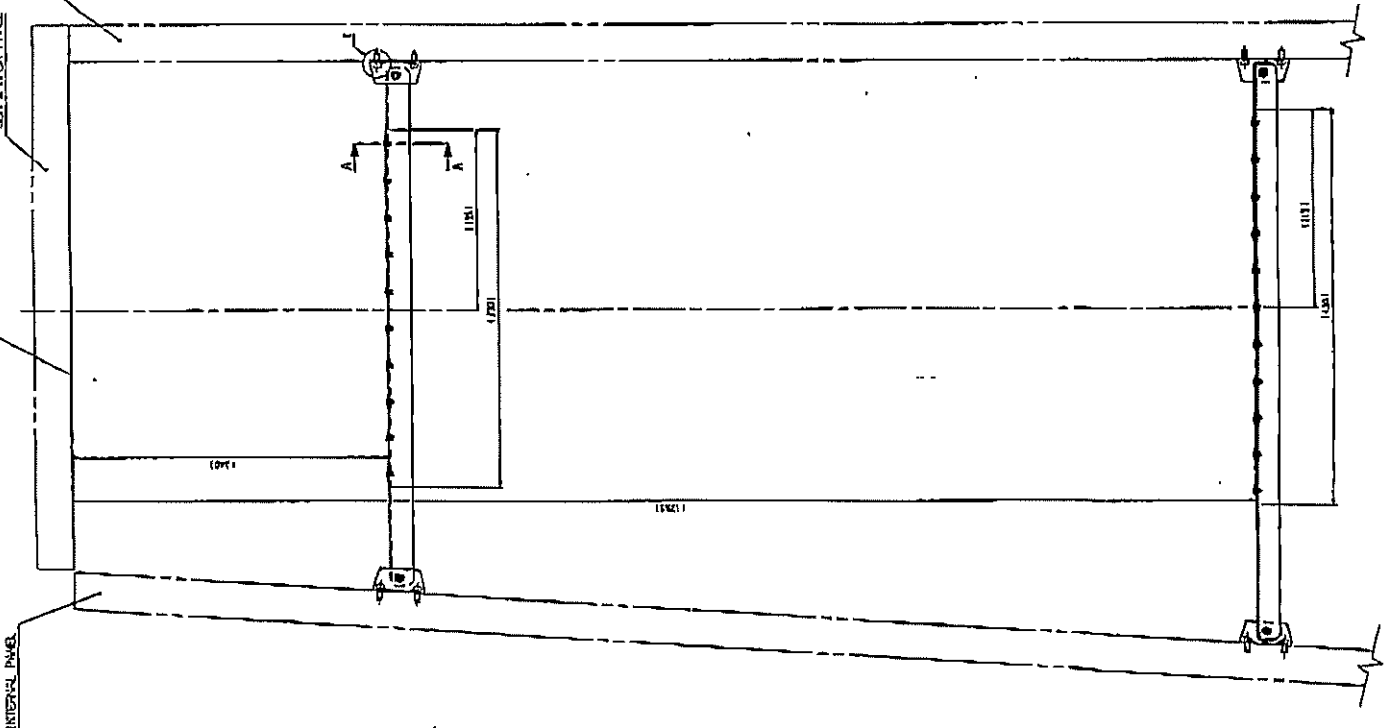
1 ✓ (48)
SEE FORMER DRAWING
FOR DIMENSIONS



Lower shielding
plate (1 mm brass)

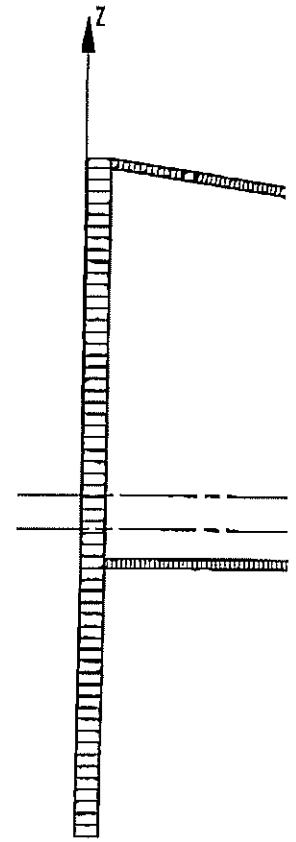
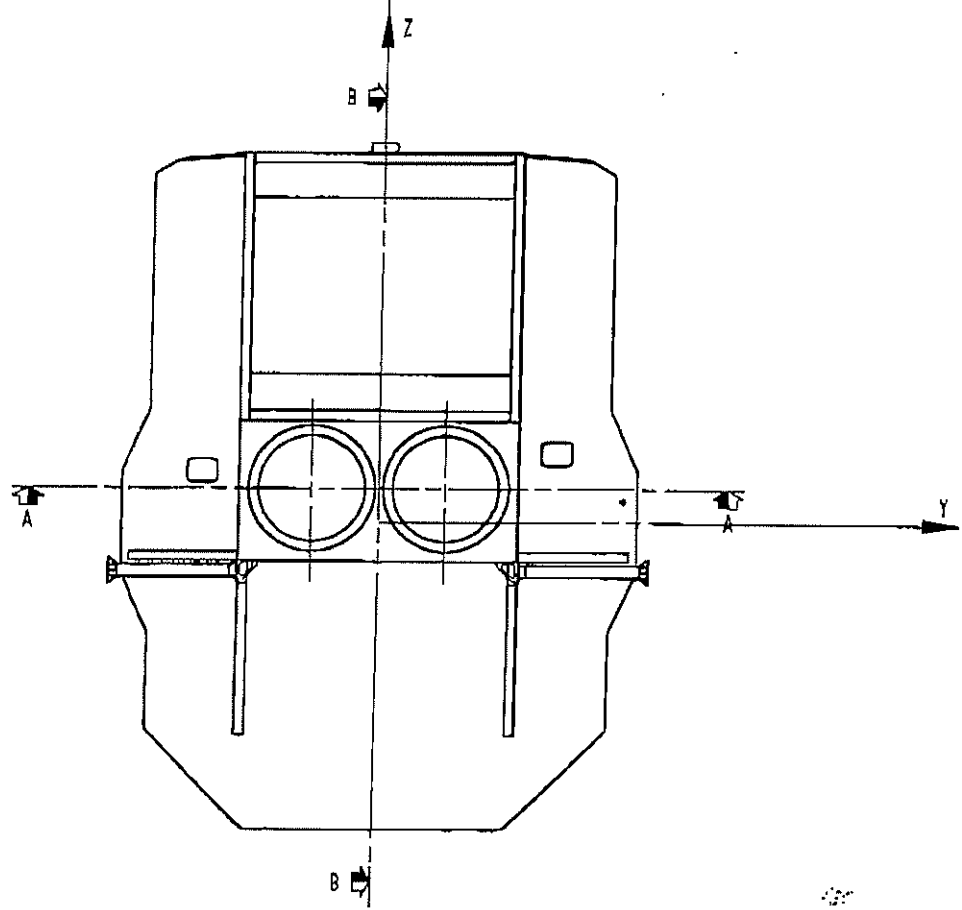
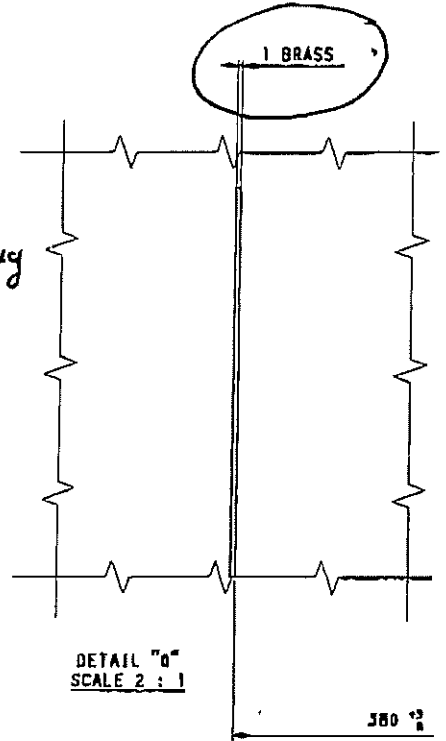
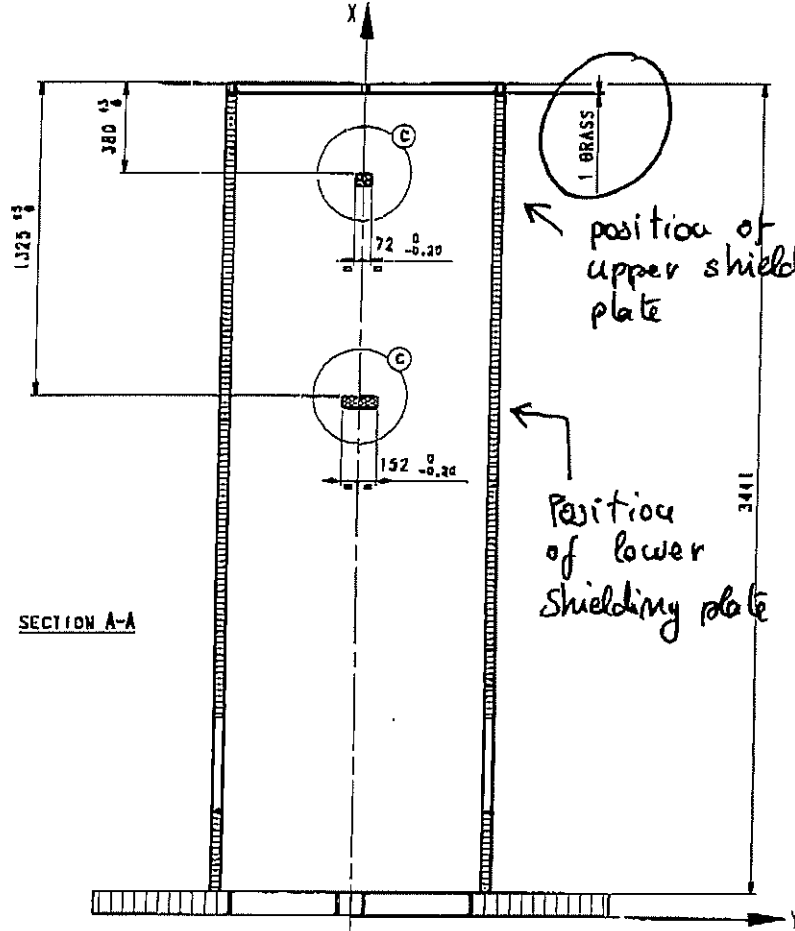
EX-1 PANEL

EX-2 PANEL

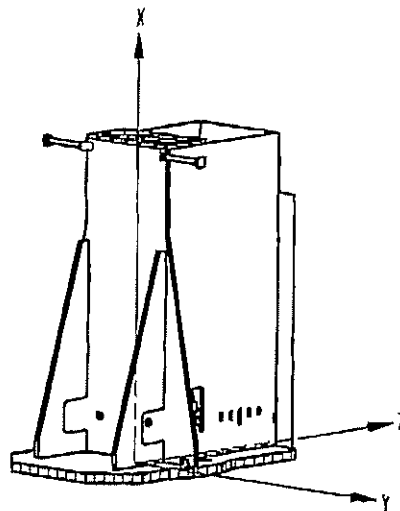
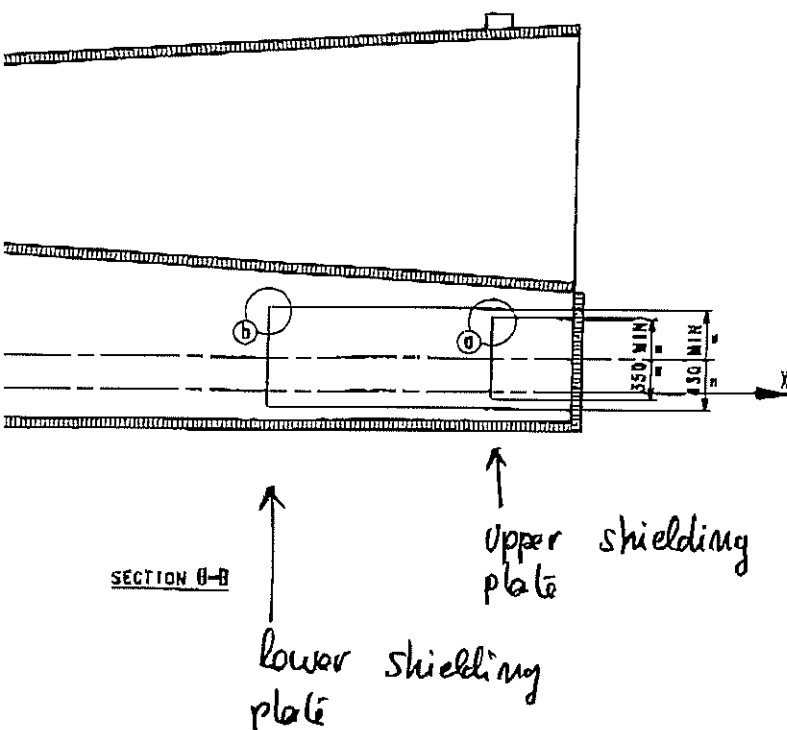
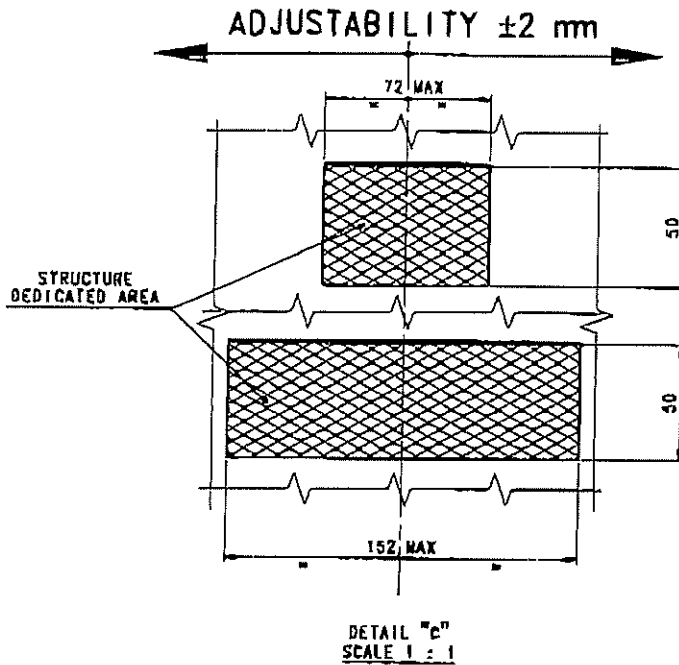
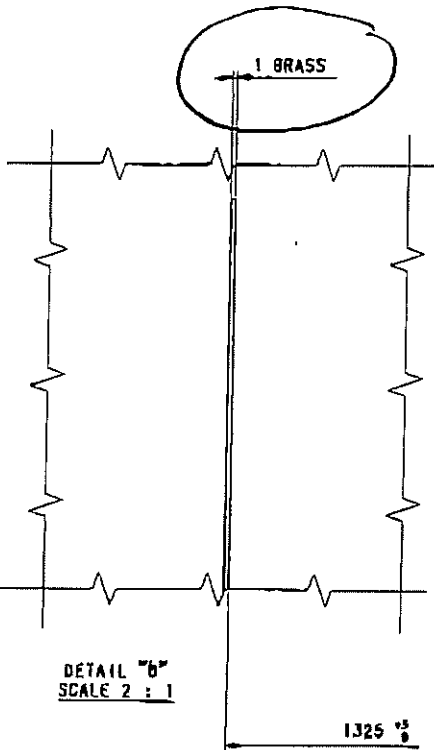


REV	DATE	BY	CHKD	DESCRIPTION
1	07/09/02
2
3
4
5
6
7
8
9
10
11
12
13
14
15
16
17
18
19
20
21
22
23
24
25
26
27
28
29
30
31
32
33
34
35
36
37
38
39
40
41
42
43
44
45
46
47
48
49
50
51
52
53
54
55
56
57
58
59
60
61
62
63
64
65
66
67
68
69
70
71
72
73
74
75
76
77
78
79
80
81
82
83
84
85
86
87
88
89
90
91
92
93
94
95
96
97
98
99
100

INTERNAL PANEL
EX-1 PANEL
EX-2 PANEL
INTERNAL / PUK
LPH-X SHIELDING CROSSWALK CR 016 792 AZ B



NOVEMBER 1998 17.32.58



THIS IS A CAD DRAWING. NO MANUAL ALTERATION

PROJ. NO.	031N319	DATE	1/1
PROJ. NAME	JEN-X BRASS LAYER 1/F	SCALE	1:10
PROJ. CODE	031N319	DESIGNER	INTEGRAL
PROJ. TITLE	JEN-X BRASS LAYER 1/F	CHECKED	INTEGRAL
PROJ. NO.	031N319	DATE	1/1
PROJ. NAME	JEN-X BRASS LAYER 1/F	SCALE	1:10
PROJ. CODE	031N319	DESIGNER	INTEGRAL
PROJ. TITLE	JEN-X BRASS LAYER 1/F	CHECKED	INTEGRAL

PART NAME